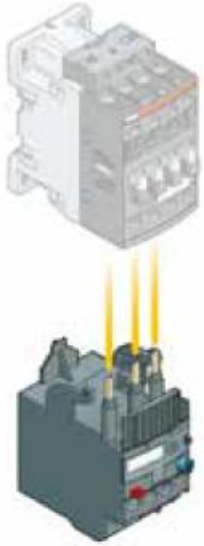


ABB Overload Relay Quick Sheet

EF19/EF45 Electronic Overload Relays

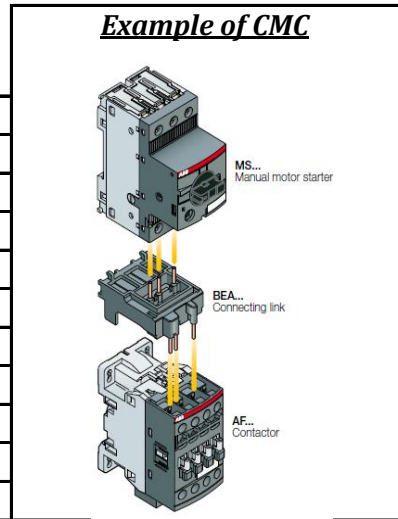
TF42 Thermal Overload Relays



Trip class (10, 20, 30) Manual/Automatic reset			Trip class (10) Manual/Automatic reset		
Setting Range	Catalog Number	Fits Contactors	Setting Range	Catalog Number	Fits Contactors
0.10 ... 0.32	EF19-0.32	AF09 ... AF30	0.55 ... 0.74	TF42-0.74	AF09 ... AF30
0.30 ... 1.00	EF19-1.0		0.74 ... 1.0	TF42-1.0	
0.80 ... 2.70	EF19-2.7		1.0 ... 1.3	TF42-1.3	
1.90 ... 6.30	EF19-6.3		1.3 ... 1.7	TF42-1.7	
5.70 ... 18.9	EF19-18.9		1.7 ... 2.3	TF42-2.3	
9.00 ... 30.0	EF45-30	AF26 ... AF30	2.3 ... 3.1	TF42-3.1	
15.0 ... 45.0	EF45-45		3.1 ... 4.2	TF42-4.2	
			4.2 ... 5.7	TF42-5.7	
			5.7 ... 7.6	TF42-7.6	
			7.6 ... 10	TF42-10	
		10 ... 13	TF42-13		
		13 ... 16	TF42-16		
		20 ... 24	TF42-24		
		24 ... 29	TF42-29		
		29 ... 35	TF42-35		

ABB Manual Motor Starter Quick Sheet

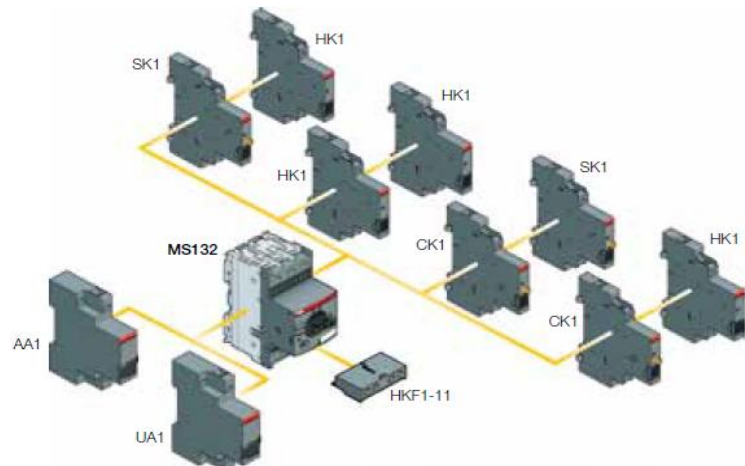
Rating: HP @ 480	Setting Range	Catalog Number	Contactor & Link Needed for Combination Motor Controller
1/4 & 1/3	0.60 ... 1.00	MS132-1.0	BEA16-4 AF09 (Z)
1/3 & 3/4	1.00 ... 1.60	MS132-1.6	BEA16-4 AF09 (Z)
1	1.60 ... 2.50	MS132-2.5	BEA16-4 AF09 (Z)
1-1/2 & 2	2.50 ... 4.00	MS132-4.0	BEA16-4 AF09 (Z)
3	4.00 ... 6.30	MS132-6.3	BEA16-4 AF09 (Z)
5	6.30 ... 10.0	MS132-10	BEA16-4 AF09 (Z)
7-1/2	8.00 ... 12.0	MS132-12	BEA16-4 AF09 (Z)
10	10.0 ... 16.0	MS132-16	BEA16-4 AF16 (Z)
	16.0 ... 20.0	MS132-20	
15	20.0 ... 25.0	MS132-25	BEA38-4 AF26 (Z) + AUX
20	25.0 ... 32.0	MS132-32	BEA38-4 AF30 (Z) + AUX



Accessories for MMP

AUX Contact, Front Mount 1NO/1NC	HKF1-11
AUX Contact, Side Mount 1NO/1NC	HK1-11
Overload Alarm, Side Mount 1NO/1NC	SK1-11
Short Circuit Alarm, Side Mount 1NO/1NC	CK1-11

Feeder Terminal 3ph 92Amp, 4Awg	S1-M1-25
Feeder 3ph 92Amp, UL508 Type E, 4Awg	S1-M3-25



Busbars Available to for Linking Incoming Lines - See Catalog